

Superflow Techno Pro S 50000S

Instructions for use

With separate control box for regulating pump flow and energy consumption in steps.



IMPORTANT: Please read this instruction manual carefully before using this product. Keep the manual safe for future reference.



Instructions for use of the Superflow Techno Pro S pumps

Read these instructions carefully before using the pump. As we constantly improve and further develop our products, accessories etc. they can differ from the pictures on the packaging.

Description

The Superflow Techno Pro pumps are designed for demanding filtration, waterfall and circulation in garden pools and similar water systems. However, they can also be used for fountains (fountain nozzles are not included but can be purchased separately).

The open vortex rotor can handle particles up to approx. 8 mm without becoming blocked.

The design of Superflow Techno Pro with external control allows step-wise control of both water flow and the pump's energy consumption in addition to a long service life. In the display of the controller, the programme steps for performance are displayed when the control buttons are pressed up and down. Shortly after setting the programme, the pump's power consumption is displayed in watts.

In the display, the letter F stands for the Flow %, while the letter P stands for Power - the energy consumption in Watt.

On all models, the control box is interchangeable and available as a spare part. The pump is also equipped with electronic dry flow protection, which automatically stops the pump when dry running or when the rotor is blocked. This is only an emergency stop and must not be used for level control. Pump must never run dry.

Superflow Techno Pro can be used both submerged and dry mounted (below surface level). Furthermore, they are also suitable for operation in salt water, as no external metal parts are present in the pump.

The Superflow Techno Pro pump is one of the most energy-friendly and quiet pumps on the market with the latest SINE-wave technology.

We recommend that you check our website for the most recently updated manuals.
www.pondteam.com



Contents

1. Pump with 10 m rubber cable (IP68)
 2. Control box
 3. Filter cover
 4. Rotor cover
 5. Rotor
 6. O-ring rotor
 7. Footplate
 8. User manual
- Fittings buys separate.

Technical data

Model	SF Techno Pro 50000S
Max head height	8 meter
Adjustable flow l/t	circa 20000-55000
Adj. energy consumption	circa 185-600 watt
Inlet/outlet	3" / 3"
Guarantee	2 years
Article no.	30339



Safety regulations

The pump may only be used in garden ponds and similar water systems with no persons in the water. Do not use in swimmingpools and other liquids than water. Electrical installations must comply with applicable regulations. If in doubt, consult an authorized electrician.

Before using the pump, make sure that the cable and plug have no visible damage. The voltage on the nameplate must match your local power supply. The pump must be connected to your power supply via a fault current protection device with a breaking current of max. 30 mA. The electrical outlet must be protected from water/moisture and must be located at least 2 meters from the nearest water edge. Also make sure moisture/water cannot run along the cord into the socket by making a "Drip Loop".

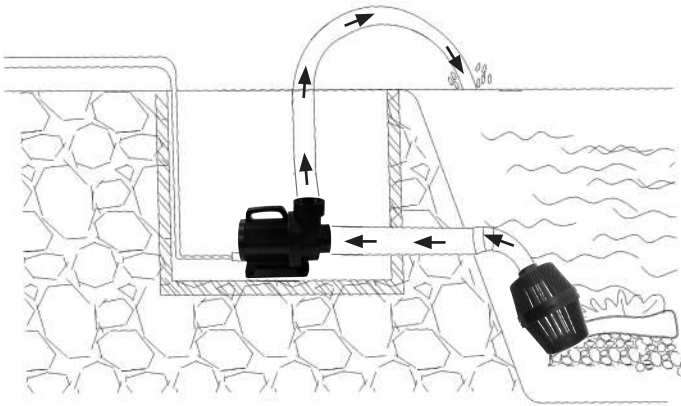
Before starting any work on the pump, switch off the power switch and unplug the power cord. For safety reasons, the pump must only be repaired by the supplier. All unauthorized intervention in the pump will void any warranty (this does not apply to regular maintenance as specified in this manual). The pump must not be used or handled by children or persons who do not understand how to use it.

Never lift or carry the pump in the cable and do not shorten or try to extend the cable. This will void any warranty.

Installation

The Superflow Techno Pro pump is designed for use for waterfalls, streams and filters. The pump's vortex rotor can handle particles up to 8 mm, but on muddy or sandy bottom the pump must be placed on a tile or similar solid support. Sand must be avoided as any damage caused by this is not covered by warranty.

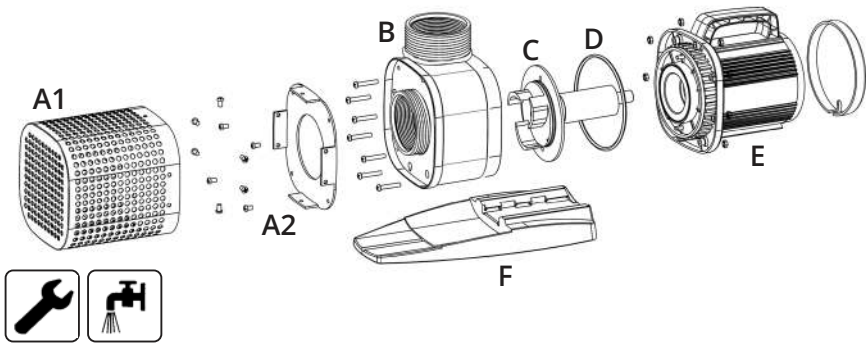
The pump must be fully immersed in water so that it is completely filled with water without air pockets before it is started up. The pump must NOT run dry and be fully located at least 20 cm below the water surface, otherwise it can suck in air. Avoid blockage of prefilters and never let pump run dry, as this will prevent motor cooling and cause damage and potential burn out motor. The water temperature must not exceed 35°C. and water depth max. 1,5 m.



Dry mounting

The Superflow Techno Pro pump can also be mounted dry outside the basin. In this case, the pump is placed in a pump-well next to the basin. It must be placed below the water level of the basin as it is not self-priming and therefore the water must run into the pump by itself.

1. Remove the filter cover.
2. Fit a tight connection + pipe/hose to the pump inlet and outlet. Make sure everything is tight. The suction hose's diameter should be as large as possible and at least 3". Intake distance should be max. 50 cm. long if diameter not above 3".
3. Make sure that the suction path and pump is filled with with water before starting the pump.
4. To prevent the pump from clogging, install a pre-filter on the suction inlet. **Avoid blockage of the pre-filters and never let the pump run dry.** Even equipped with an electronic overheating protection it might cause severe damage to the pump.



Maintenance

Follow the safety precautions listed, turn off the pump and unplug the power cord before starting to operate the pump.

1. Pull the footplate (F), towards the cable to take it off.
2. Start by unscrewing the 4 screws from the filter cover (A1).
3. Unscrew the 4 screws from the metal plate (A2) and then the 7 screws from the rotor cover (B). Then pull off the rotor cover (B) from the pump motor (E) (7 nuts are on the pump motor (E) to which the screws were attached).
4. Pull the rotor (C) out of the pump housing and take care of the large O-ring (D), located in the pump housing flange.
5. Clean the rotor-well (hole in E) and the parts in lukewarm water with a sponge or soft brush.
6. Once the parts are cleaned, mount the O-ring (D) in the flange, taking care to get it positioned correctly.
7. Put the rotor (C) back into the rotor-well.
8. Check that the rotor can be rotated effortlessly and that the O-ring is properly placed.
9. Fit the rotor cover (B) and tighten the 4 screws and nuts in the pump motor (E). Check with your finger that the rotor (C) can be turned.
10. Then mount the metal plate (A2) with associated screws in the rotor covers (B).
11. Mount the filter cover with the associated screws in the metal plate (A2).
12. Place the footplate (F) in the designated slot and press it into place.

NOTE: Check the pump regularly and clean it if necessary. This does not require any technical knowledge if you follow the instructions above. The Superflow Techno Pro S pump can handle particles up to 8 mm and this means that maintenance is kept to a minimum.

NOTE: If the pump is used in calcareous (hard) water, the rotor and rotor-well should be cleaned regularly with a descaling agent so that the pump does not block due to limescale. Damage caused by limescale is NOT covered by warranty.



Avoid overheating

If the pump becomes too hot, the built-in safety relay is triggered and the pump is switched off so that no damage to the motor occurs. The pump must then be cooled down to normal temperature before restarting.

Before starting the pump again, check the following:

1. Check that the suction pipe/hose has a suitable diameter of at least 3" and that it is not clogged.
2. Check that the pre-filter is clean and not clogged.
3. Check that the rotor is not blocked/clogged by dirt.

Only when the above is checked can the pump be restarted.



Seasonal care

The pump must be protected from frost. Before winter, the pump must be removed from the pond and cleaned thoroughly.

We recommend using a good quality airpump over winter. This will ensure oxygen for the fish and cause less water movement during hibernation.

Any damage caused by frost is NOT covered by warranty.

Guarantee

This pump is covered by a 2-year warranty against production and material defects, effective from the date of purchase. Nota with date applies as proof of warranty and a copy of it must be sent along with the pump in case of complaint. During warranty period, we repair or replace the defective parts (our choice) with original spare parts free of charge. The warranty does not apply to normal wear and tear or damage that has occurred as a result of breach, misuse and/or neglect of the specified operating instructions. The rotor is a wear and tear part and is not covered by warranty.

Liability is limited to replacement of the faulty product only. No other costs will be reimbursed. This guarantee is not transferable and does not affect your statutory rights.

OBS: The connection cable of the pump or control box must under no circumstances be shortened or extended. The pump is calibrated with the supplied cable and will not operate if changes are made to the cable. Any warranty will lapse upon such changes.



Techno Pro 50000S Controller

The controller is designed with the latest SINE-wave technology and have a display to show program, power use and error codes.

The pump cable should only be mounted or dismantled with the powercable unplugged from the socket.

Controller should be placed at least 30 cm. above ground level.

Error Display

Error code	Cause	Solution
ER01	Control box works with fault current.	Check cable and connections for short circuits.
ER02	Control box overheated.	The control box must be able to ventilate and must not be wrapped or enclosed. Place it in the shade.
ER03	The pump is idling for too long.	Check if the pump gets water - it must not run dry.
ER04	The rotor is blocked The pump is set at too low a program/energy consumption.	Check if the rotor is blocked and remove any objects. Increase the pump's program/energy consumption.
ER05	Too high or low voltage (volts).	Check the power supply.

Tips: If the buttons are not responding - You might have locked the display! Press and hold the (Left) Start/Stop button for 3 seconds until the display flashes 2 times - this is the procedure that opens/locks the controller.

The control box for Superflow techno Pro S

The box can control the flow of a Superflow Techno Pro pump from stages 30 - 100. At power on - the display first shows the previous set value, which is stored on memory in case of power failure. In about 10 seconds pump will reach the flow. You can turn the pump on / off at the left button - "OFF" it is showed in display. When You turn on - Flow-value "F" number (30 - 100%) is shown and after a short while, the display switches to show the energy consumption in Watt. "P" for Power.

The energy consumption in the max setting can vary with the pump load, but is usually lower than that indicated on packaging.

The control box should be positioned in a ventilated place and not exposed direct to heavy rain or sunlight. Do not wrap or encapsulate as overheating will damage it.



Control box operation.

To control the pump during operation, do the following:

1. Press your finger on the up/down arrows on the display. The display lights up. (Display will enter low power mode after 25 sec. without use)
2. Wait a few seconds and then calmly press the desired setting.
3. When the pump responds, the finger can be held on the up/down arrow until the desired setting appears in the display.
4. The pump can also be turned on / off in the display.

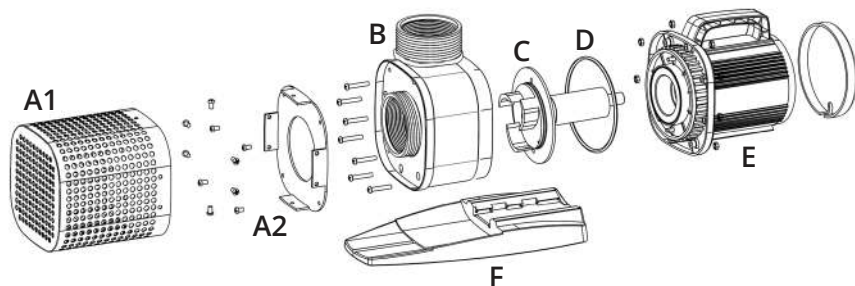
Display Lock function:

Press and hold the (Left) Start/Stop button for 3 seconds until the display flashes 2 times - this is the procedure that lock/opens the controller preventing unintentional mistakes.

When operating the control box, be careful not to press the up/down arrows too quickly. Be sure to press the box setting markings gently and carefully so that the control box has time to register your settings.

If the control box should stop responding, you can reset it by turning off the power, waiting 1-2 minutes, and then turning it back on.

Parts for the Superflow Techno Pro 5000S



A1



Filter cover in metal
Art.nr. 30930

A2



Metal plate

B



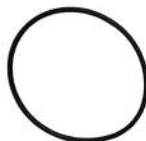
Rotor cover
Art.nr. 31344

C



Rotor
Art.nr. 31331

D



O-ring rotor
Art.nr. 31363

E



Pump motor
Art.nr. 31368

F



Footplate
Art.nr. 30940



Control box
Art.nr. 30949

Pondteam®

www.pondteam.com

Superflow Techno Pro S

50000S

Instructions for use



Waste management

A defect product must Not be thrown in the normal municipal waste, but must be delivered at one of the home municipality's recycling stations.

Pondteam® is a registered trademarks. Other trademarks used in this manual, on our website or in our catalogues are the property of their respective owners. We reserve the right to change specifications of products, App's and recommendations without notice.

Some products are protected internationally by registered design and patents – further patents pending.

Pondteam AB

Kantxegatan 25 L - 213 76 Malmö - Sweden • www.pondteam.com

Mail info@pondteam.com

Reservations for printing errors - Copyright Pondteam AB - 03/03/2025

Pondteam®

www.pondteam.com

Superflow Techno Pro S

50000S

Bruksanvisning

Inklusive kontrollbox för
flödesreglering och kontroll
av energiförbrukning.



Svensk

VIKTIGT: LÄS NOGA IGENOM BRUKSANVISNINGEN INNAN DU ANVÄNDER DEN HÄR PRODUKTEN. SPARA BRUKSANVISNINGEN FÖR FRAMTIDA BRUK.

Manual version - 2025/03/03



Bruksanvisning Superflow Techno Pro S

Läs den här bruksanvisningen noggrant innan du använder pumpen. Då vi kontinuerligt förbättrar och utvecklar våra produkter, kan tillbehör m.m. skilja sig från bilderna på förpackningarna.

Beskrivning

Superflow Techno Pro pumparna är avsedda för trädgårdsdammar och liknande vattensystem. Den lämpar sig utmärkt till filter, vattenfall, bäckar, cirkulation och syresättning. De kan också användas till fontäner (fontänmunstycken är inte inkluderade men kan köpas separat.)

Pumpen har en extern styrbox som gör att både funktion och energiförbrukning enkelt kan justeras. Flödet kan ändras i olika förprogrammerade steg samtidigt visar displayen kontinuerligt energiförbrukningen i watt. I displayen står bokstaven F för flödesprogram och bokstaven P visar strömförbrukningen i watt. Pumpen är försedd med ett elektroniskt torrkörningsskydd, som stänger av pumpen automatiskt vid torrgång eller om rotern blockeras. Detta är endast avsett som ett nödstopp och ska inte användas i syfte som nivåreglering. Pumpen ska aldrig köra torr. Superflow Techno Pro pumparna lämpar sig även för torrmontering i en pumpgrop (under vattenytans nivå).

På alla modellerna är styrboxen utbytbar och kan fås som reservdel.

Superflow Techno pumparna är synkrona enfas växelströms pumpar med kondensator. Motorn är helt vattentät, skyddsklass IP68.

Den öppna vorteximpellern klarar partiklar upp till ca 8 mm utan att blockeras. Superflow Techno Pro pumpmodellerna är några av de mest energisnåla och tysta pumparna på marknaden, med den senaste SINE-wave tekniken.

Vi rekommenderar att Ni tittar på vår hemsida för att se de senaste uppdaterade bruksanvisningarna.



Innehåll

1. Pumphus med 10 m gummikabel (IP68)
2. Extern styrbox
3. Metall filterkåpa
4. Rotorlock
5. Rotor
6. O-ring
7. Fotplatta
8. Bruksanvisning

Teknisk data

Modell	SF Techno Pro 50000S
Max lyfthöjd	8 meter
Regulerbart flöde l/t	ca. 20000-55000 l/t
Reg. energiförbrukning	ca. 185-600 watt
Inlopp / Utlopp	3" / 3"
Garanti	2 år
Artikel nr.	30339

Toleransen i strömförbrukning kan variera 15%, för de olika programmen.



Säkerhetsföreskrifter

Pumpen får bara användas till trädgårdsdammar, och liknande. De elektriska installationerna måste överensstämma med gällande föreskrifter. Är du det minsta tveksam skall en auktoriserad elektriker rådfrågas. Innan du använder pumpen förvissa dig om att kabel och kontakt inte har några synliga skador. Spänningen i det lokala elnätet skall överensstämma med vad som står på typskylten. Pumpen skall alltid anslutas över en jordfelsbrytare på högst 30 mA. Elanslutningen skall skyddas mot fukt och placeras minst 2 meter från dammen. Kontakten får inte utsättas för fukt.

Innan du utför något arbete i dammen skall pumpen kopplas från elnätet genom att du drar ur kontakten. Av säkerhetsskäl får pumpen bara repareras av leverantören.

Alla obehöriga ingrepp i pumpen gör att garantin bortfaller.

Pumpen får inte användas av barn eller personer som inte förstår handhavandet.

Pumpen skall aldrig bäras eller hängas i elkabeln. Elkabeln får inte kortas eller modifieras på ngt sätt. Då detta kommer medföra att garantin bortfaller.

Användning

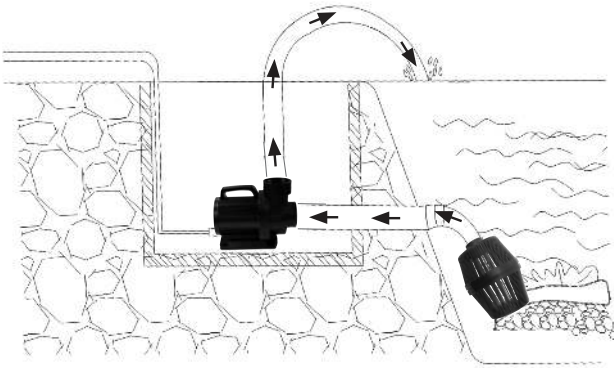
Pumpen skall nedsänkas helt under vattenytan så pumphuset fylls med vatten utan luftbubblor, och placeras minst 20 cm under vattenytan då den annars kan suga luft. Pumpen får INTE gå torr, detta kan leda till att pumpmotorn inte kyls som den ska. Vilket i sin tur kan leda till skador och ev. att motorn bränner och går sönder. Viktigt att rengöra pumpen och ev. förfilter regelbundet för att förhindra att pumpen sätts igen / går torr.

Vattentemperaturen får inte överstiga 35°C och placeringsdjupet ej mer än 1,5 meter.

På vintern skall pumpen skyddas mot frost.

Pumpen stängs och sätts igång genom elkontakten eller genom kontrollboxen.

Pumpen klarar partiklar upp till ca 8 mm, men bör placeras ovanför en smutsig botten på en stabil yta, som tex. en sten.



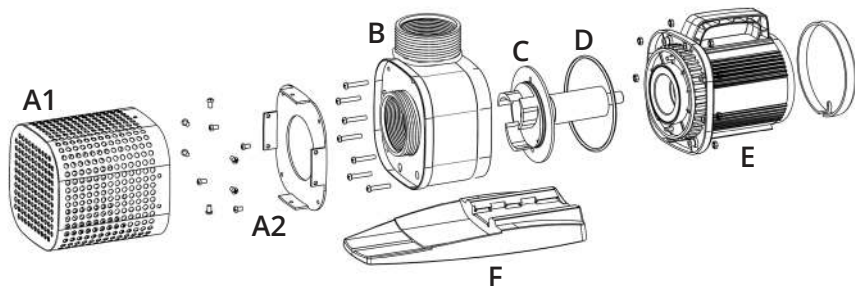
Torrmontering

Superflow Techno Pro kan också torrmonteras utanför dammen. Placera pumpen i en pumpgropp. Pumpen skall placeras under vattenytans nivå. Detta då pumpen inte är självsugande utan vattnet måste rinna in i den.

1. Ta bort filterkåpan.
2. Montera en tät slangadaptor och slang till pumpens insug och utlopp. Förvissa dig om att det inte läcker. Sugslangen in till pumpen ska ha så stor diameter som möjligt, minst 3". Sugslangen ska vara max 50 cm lång, om diametern inte är mer än 3".
3. Försäkra er om att sugslangen och pumpen är fyllda med vatten innan pumpen kopplas till elnätet.
4. För att förhindra smuts in i pumpen, bör du montera ett förfilter på sugslangen.

Undvik att förfiltret sätts igen och låt aldrig pumpen köra torr.

Även om pumpen är utrustad med överhettningsskydd, kan stora skador åsamkas på pumpen om den körs torr.



Underhåll

Följ säkerhetsinstruktionerna och koppla ur pumpen från elnätet genom att dra ur kontakten innan underhåll görs på pumpen (alltså Ej genom att ta loss kabel mellan pumpen och kontrollboxen).

1. Dra fotplattan (F) mot kabeln för att dra av den.
2. Börja med att skruva ur de 4:a skruvarna från filterkåpan (A1).
3. Skruva ur de 4:a skruvarna från metallplattan (A2) och därefter de 7 st skruvarna från rotorlocket (B). Dra sedan loss rotorlocket (B) från pumpmotorn (E) (7 st muttrar finns på pumpmotorn (E) som skruvarna varit fästa i).
4. Dra ut rotorn (C) ur rotorbrunnen. Tänk på den stora O-ring (D) som ligger i en skåra i pumphuset, så den inte försvinner.
5. Rengör rotorbrunnen (hållet i E) och de andra delarna i ljummet vatten och med en mjuk svamp eller borste (tex. gammal tandborste).
6. När delarna är rengjorda, montera den stora O-ringen (D) korrekt på plats i skåran.
7. Sätt tillbaka rotorn (C) i rotorbrunnen.
8. Kontrollera att rotorn (C) kan rotera fritt och att O-ringen (D) ligger rätt.
9. Montera rotorlocket (B) på plats med tillhörande skruvar och muttrar i pumpmotorn (E). Kontrollera med fingret att rotorn (C) kan rotera fritt.
10. Montera sedan metallplattan (A2) med tillhörande skruvar i rotorlocket (B).
11. Montera filterkåpan med tillhörande skruvar i metallplattan (A2).
12. Placera fotplattan (F) i avsedd skåra och tryck den på plats.

OBS! Kontrollera med jämna mellanrum pumpen och rengör den. Detta kräver inga tekniska kunskaper utan det räcker med att följa bruksanvisningen. Superflow Techno pumpen klarar partiklar upp till 8 mm vilket gör underhållet minimalt.

OBS! Om pumpen används i kalkhaltigt (hårt) vatten skall rotor och pump rengöras regelbundet med avkalkningsmedel så det inte bildas kalkavlagringar.



Förhindra överhettning

Pumpen är försedd med en värmsäkring och stängs automatiskt av vid torrgång eller överhettning. Om pumpen blir för varm löser det inbyggda termoskyddet ut och stänger av pumpen. Detta så att inga skador ska uppstå på pumpen.

Pumpen måste sedan svalna till normal temperatur, innan den kan startas igen.

Innan pumpen startas kontrollera följande:

1. Kontrollera att sugslangen har tillräcklig dimension och inte är tilltäppt.
2. Är förfiltret tilltäppt?
3. Kontrollera så att det inte sitter smuts, som stoppar rotern.
När ovanstående är kontrollerat kan pumpen startas igen.



Förvaring på vintern

Skydda pumpen mot att frysa in. Innan första frosten och vintern kommer, tas pumpen in och rengörs, enligt ovanstående anvisningar. Lägg sedan pumpen i en hink med vatten och förvara den frostfritt. Vi rekommenderar att en luftpump av bra kvalitet används över vintern, till dammen. På så sätt syresätts vattnet för fiskarna under deras "dvalperiod". Detta utan att vattnet är i större rörelse, vilket minimerar fiskarnas energiförbrukning.

Skador orsakade av frost täcks INTE av någon garanti.

Garanti

Den här pumpen täcks av en 2 års garanti mot produktions- och materialfel, utifrån inköpsdatumet på kvittot. Garantin gäller inte mot handhavande fel, kalk, frost eller felaktigt bruk eller normalt slitage. Garantin gäller ej om skötsel enligt tillhörande instruktioner ej följts.

Inköpskvittot gäller som garantisedel. Vid garantireklamation skall inköpskvittot eller kopia medfölja. Under garantiperioden repareras eller byts pumpen ut (vårt val).

OBS! Rotorn är en förslitningsdetalj och omfattas ej av garantin, utan finns att köpa som reservdel.

Garantin gäller endast själva produkten och inga följdskador. Garantin gäller utöver konsumentköplagen och är ett frivilligt åtagande från leverantören.

Garantin bortfaller om elkabeln kortas eller ingrepp görs i pumpens elektriska delar. Anslutnings kabeln till pumpen eller till kontrollboxen får under inga omständigheter kapas eller förlängas. Pumpen är kalibrerad hos tillverkaren med avsedd kabel och kommer inte fungera om åverkan görs på kablarna. Garantin bortfaller om ingrepp görs på elkablar eller produktens elektriska delar.



Techno Pro 50000S kontrollbox

Kontrollboxen är designad med den senaste SINE-wave-teknologin och har en display som visar program, strömanvändning samt felkoder. Pumpkabeln bör endast monteras eller demonteras med strömkabeln urdragen från uttaget.

Kontrollboxen bör placeras minst 30 cm ovan marknivå.

Error Display på kontrollboxen

Felkod i displayen	Orsak	Lösning
ER01	Problem med spänningen till kontrollboxen.	Kontrollera kabeln och strömförsörjningen.
ER02	Kontrollboxen är överhettad.	Kontrollboxen får inte tillräcklig ventilation. Boxen får inte kapslas in eller placeras i solljus.
ER03	Pumpen kör utan motstånd (torrt) en längre tid.	Kontrollera att pumpen får tillräckligt med vattenkylning.
ER04	Pumpen är blockerad eller kabelfel. Pumpen är ställd på för lågt program/ energiförbr.	Kontrollera att pumpen inte är blockerad och/eller kabeln är ansluten korrekt. Öka pumpens program/ energiförbr.
ER05	För hög eller låg spänning.	Kontrollera strömförsörjningen.

Tips: Om knapparna på styrboxen inte svarar - Ni kan ha råkat låsa displayen! Tryck och håll inne Start/Stopp knappen (den längst till vänster), i 3 sekunder, tills displayen blinkar 2 gånger. På detta sätt låses displayen upp eller låses om så önskas.

Kontrollboxen till Superflow Techno Pro S

Boxen kan styra flödet av en Superflow Techno Pro-pump från stegvis 30 - 100. Vid påslag - displayen visar först det tidigare inställda värdet, som lagras i minnet vid strömavbrott. Efter cirka 10 sekunder kommer pumpen att nå flödet.

Du kan slå på/stänga av pumpen med den vänstra knappen - "OFF" inställda flödet visas i displayen.

När du slår på - Flödesvärde "F" nummer (30 - 100%) visas och efter en kort stund växlar displayen för att visa energiförbrukningen i watt. "P" för Power.

Energiförbrukningen i maxinställningen kan variera med pumpbelastningen, men är vanligtvis lägre än vad som anges på förpackningen.

Kontrollboxen ska placeras på en ventilerad plats och inte utsätts direkt för kraftigt regn eller solljus. Då det kan orsaka överhettning/kortslutning, vilket kommer orsaka skador på kontrollboxen.



Reglering

När boxen ansluts lyser displayen upp.

Pumpen startar långsamt för att inom ca 10 sekunder uppnå önskat värde. Vid strömavbrott kommer boxen ihåg värdet den var inställd på.

För att reglera pumpen under drift gör du följande.

1. Tryck med ett finger på displayens upp/nerpil. Displayen lyser då upp.
2. Vänta någon sekund och tryck lugnt på önskad åtgärd.
3. När pumpen reagerar kan fingret hållas på upp/ner så ändras displayen fortlöpande.

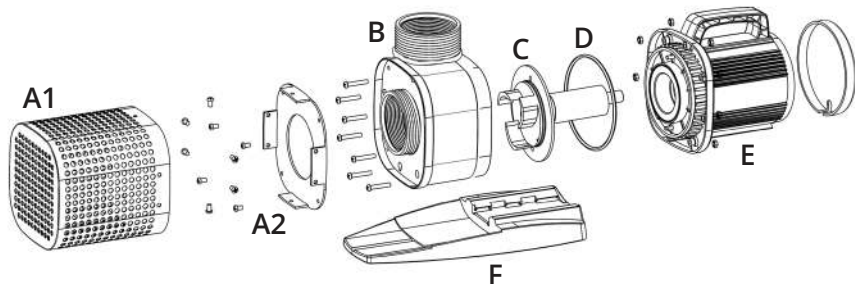
Pumpen kan också sättas på/stängas av via displayen.

Tänk på att inte trycka hastigt utan lugnt och mjukt så kontrollboxen hinner registrera åtgärden.

Vid behov återställs boxen genom att strömsladden dras ur kontakten.

OBS! Pumpen eller kontrollboxens anslutningskabel får inte under några omständigheter skarvas, eller förlängas. Pumpen är kalibrerad med den medföljande kabeln och kommer sluta fungera om några ändringar görs på kabeln. Garantin upphör omedelbart att gälla vid sådan åverkan.

Delar til Superflow Techno Pro 50000S



A1



Filterkåpa
Art.nr. 30930

A2



Metallplatta

B



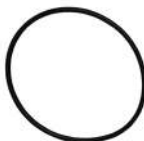
Rotorlock
Art.nr. 31344

C



Rotor
Art.nr. 31331

D



O-ring rotor
Art.nr. 31363

E



Pumpmotor
Art.nr. 31368

F



Fotplatta
Art.nr. 30940



Kontrollbox för att
reglera flödet i olika steg.
Art.nr. 30949

Superflow Techno Pro S

50000S

Bruksanvisning



Pondteam AB

Kantyxegatan 25 L - 213 76 Malmö - Sverige • www.pondteam.com

Mail info@pondteam.com

Copyright Pondteam International AB - 03/03/2025

Pondteam® är ett registrerat varumärke. Andra varumärken som används i manualen eller på hemsidan tillhör respektive företag. Vi förbehåller oss rätten att ändra produkter, specifikationer, appar och rekommendationer.



Avfallshantering

En defekt pump får inte slängas bland ordinarie hushållssopor utan skall lämnas in på en av kommunen bestämd plats för elmateriel tex en miljöstation. Pondteam är med i elkretsen för återvinning av elavfall och REPA för återvinning av emballage.

Pondteam®

www.pondteam.com

Superflow Techno Pro S

50000S

Brugsanvisning

Dansk

Udskiftelig kontrolboks
for regulering af pumpens
flow i trin.



VIGTIGT: Læs venligst denne brugsanvisning grundigt før anvendelse af produktet. Gem brugsanvisningen til fremtidig brug.

Manual version - 2025/03/03



Brugsanvisning for Superflow Techno Pro S pumperne

Læs omhyggeligt denne brugsanvisning igennem, inden du tager pumpen i brug. Da vi hele tiden forbedrer og videreudvikler vore produkter kan tilbehør mm afvige fra billeder på emballagen.

Beskrivelse

Superflow Techno Pro pumperne er beregnet til krævende filtrering, vandfald og cirkulation i havebassiner og lignende vandanlæg. De kan dog også anvendes til fontæner (springvandsdyser er ikke inkluderet, men kan købes separat).

Den åbne vortex-rotor klarer partikler op til ca. 8 mm uden at blive blokeret. Designet af Superflow Techno Pro med ekstern styring giver ud over lang levetid også mulighed for trinvis styring af både vandflow og pumpens energiforbrug. I styreenhedens display vises programtrinnene for ydelse når der trykkes op og ned på reguleringsknapperne.

Kort efter programindstilling vises pumpens strømforbrug i watt. I displayet står bogstavet F for det pågældende trin, mens bogstavet P står for energiforbruget i Watt.

På alle modellerne er kontrolboksen udskiftelig og kan fås som reservedel. Pumpen er endvidere forsynet med elektronisk tørløbssikring, som automatisk stopper pumpen ved tørkørsel eller blokering af rotoren. Dette er kun et nødstop, og må ikke bruges til niveauekontrol. Pumpen må aldrig løbe tør. Superflow Techno Pro kan både anvendes neddykket og tørmonteret (under overfladeniveau). Den nyudviklede motor gør den til en af de mest energivenlige og støjsvage pumper på markedet.

Superflow Techno Pro pumpen er forsynet med en synkron enfaset motor med kondensator og motoren er vandtæt indkapslet i beskyttelsesklasse IP68. Superflow Techno Pro pumpemodellerne er nogle af de mest energieffektive og støjsvage pumper på markedet, med den nyeste SINE-wave teknologi.

Vi anbefaler, at De tjekker vor hjemmeside for de senest opdaterede manualer.



Indhold

1. Pumpedel med 10 m. gummikabel (IP68)
2. Kontrolboks
3. Filterkammer
4. Rotorlåg
5. Rotor
6. O-ring
7. Fodplade
8. Manual

Tekniske data

Model	SF Techno Pro 50000S
Max løftehøjde	8 meter
Regulerbart flow l/t	ca. 20000-55000 l/t
Reg.bart energiforbrug	ca. 185-600 watt
Indløb/udløb	3" / 3"
Garanti	2 år
Artikel Nr.	30339

Tolerancen i strømforbruget kan variere 15% for de forskellige pumpeprogrammer.



Sikkerhedsforskrifter

Pumpen må kun anvendes i havebassiner o. lign. vandanlæg. Må ikke anvendes i svømmebassiner eller lign. med personer i vandet. De elektriske installationer skal være i overensstemmelse med gældende forskrifter. Er du det mindste i tvivl, skal du rådføre dig med en autoriseret elektriker. Inden du tager pumpen i brug, skal du forvisse dig om, at kabel og stik ingen synlige skader har. Spændingen på typeskiltet skal stemme overens med din lokale strømforsyning. Pumpen skal tilsluttes dit el-net via et HFI eller HPFI relæ med en brudstyrke på max 30 mA.

El-udtaget skal være beskyttet mod vand/fugt og skal være placeret mindst 2 m. fra nærmeste vandkant. Sørg også for at fugt/vand ikke kan løbe langs ledningen ind i stikket. Inden du påbegynder nogen form for arbejde med pumpen skal der slukkes for kontakten og stikket skal trækkes ud af stikkontakten.

Af sikkerhedsgrunde må pumpen udelukkende repareres af leverandøren. Alle uautoriserede indgreb i pumpen medfører bortfald af enhver garanti (dette gælder ikke almindelig vedligeholdelse som anført i denne brugsanvisning). Pumpen må ikke anvendes af børn eller personer der ikke forstår anvendelsen af den.

Pumpen må aldrig løftes eller bæres i kablet, og kablet må ikke afkortes eller forlænges. Dette medfører bortfald af enhver garanti.

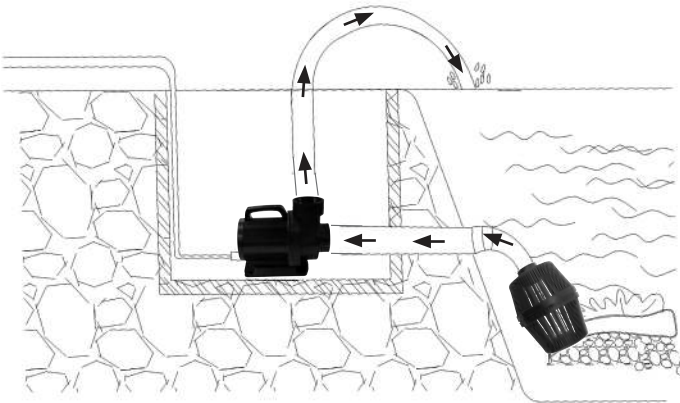
Anvendelse

Superflow Techno Pro pumpen er designet for anvendelse til vandfald, vandløb og filter. Pumpens vortex-rotor kan klare partikler op til 8 mm, men på mudret bund skal pumpen placeres på en flise eller lignende fast underlag. Sand og ler skal undgås, da enhver skade forårsaget af dette ikke er dækket af garantien.

Pumpen skal være helt neddykket i vand så den fyldes helt med vand uden luftlommer inden den startes op. Pumpen skal være placeret mindst 20 cm under vandoverfladen, da den ellers kan suge luft ind (max. placeringsdybde 1,5 m). Undgå blokering af forfiltre og lad aldrig pumpen køre tør.

Det vil forhindre afkøling af pumpemotoren, forårsage skade og potentielt brænde motoren af.

Vandtemperaturen må ikke overstige 35°C.



Tørmontering

Superflow Techno Pro pumpen kan også tørmonteres udenfor bassinet.

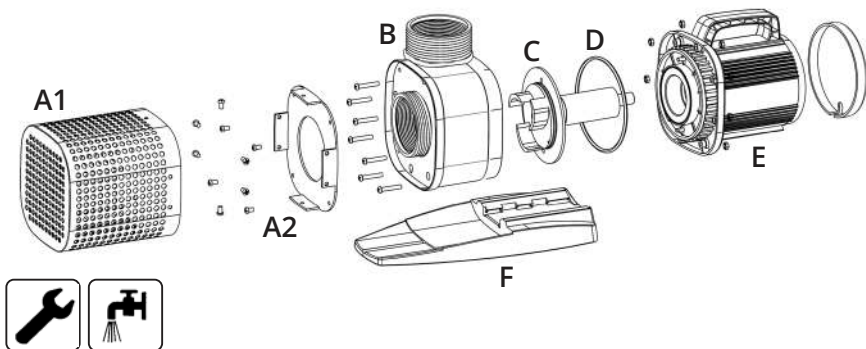
Pumpen placeres i så tilfælde i en pumpebrønd ved siden af bassinet.

Den skal placeres under bassinets vandniveau, da den ikke er selvsugende og vandet derfor selv skal løbe ned i pumpen.

1. Fjern den forreste filterkappe
2. Lav en tæt forbindelse + rør/slange til pumpens ind- og udløb, og sørg for at alt er tæt. Sugslangens diameter skal være så stor som muligt og mindst 3". Slangen må max. være 50 cm. lang, hvis diameteren ikke overstiger 3"
3. Sørg for at sugeslange og pumpe er fyldt med vand, før du starter pumpen.
4. Monter et forfilter på indsugningen, for at forhindre pumpen i at stoppe til.

Undgå blokering af forfiltrene, og lad aldrig pumpen køre tør.

Selv om pumpen er udstyret med en elektronisk overophednings beskyttelse, kan det forårsage alvorlig skade på pumpen.



Vedligeholdelse

Følg nøje de anførte sikkerhedsforanstaltninger, sluk for pumpen og træk stikket ud af stikkontakten før du begynder at arbejde med pumpen.

1. Træk fodpladen (F) mod kablet for at tage den af.
2. Start med at skrue de fire skrue af filterhuset (A1).
3. Skru de fire skrue af metalpladen (A2), og derefter de syv skrue fra rotorlåget (B). Træk derefter rotorlåget (B) af pumpemotoren (E) (7 møtrikker er på pumpemotoren (E), som skrue var fastgjort til).
4. Træk rotoren (C) ud af pumpehuset og pas på den store O-ring, (D) der ligger i pumpehusets flange.
5. Rengør rotorbrønd (hullet i E) og delene i lunkent vand med en svamp eller en blød børste.
6. Når delene er rengjort monteres O-ringen (D) i flangen, pas på at få den placeret korrekt.
7. Rotoren (C) sættes tilbage i rotorbrønden.
8. Kontroller at rotoren (C) kan drejes ubesværet og at O-ringen (D) er korrekt placeret.
9. Monter rotorlåget (B) på plads med de tilhørende skrue og møtrikker i pumpemotoren (E). Tjek med fingeren at rotoren (C) kan dreje rundt.
10. Monter derefter metalpladen (A2) med tilhørende skrue i rotorlåget (B).
11. Monter filterhuset med de tilhørende skrue i metalpladen (A2).
12. Placer fodpladen (F) i den dertil beregnede åbning, og tryk den på plads.

OBS: Kontroller med jævne mellemrum pumpen og rens den evt. Dette kræver ingen tekniske kundskaber, hvis bare man følger ovenstående vejledning. Superflow Techno Pro pumpen kan klare partikler op til 8 mm og dette betyder, at vedligeholdelsen begrænses til et minimum.

OBS: Hvis pumpen anvendes i kalkholdigt (hårdt) vand, skal rotoren og rotorbrønden regelmæssigt renses med et afkalkningsmiddel, så pumpen ikke kalker til.

OBS: Pumpens eller kontrolboksens tilslutningskabel må under ingen omstændigheder forkortes eller forlænges. Pumpen er kalibreret med det medfølgende kabel og vil ikke fungere, hvis der foretages ændringer på kablet. Enhver garanti bortfalder ved sådanne ændringer.



Undgå overophedning

Hvis pumpen bliver for varm, udløses det indbyggede sikkerhedsrelæ og pumpen slukkes, så der ikke opstår skader i pumpen. Pumpen skal derefter afkøles ned til normal temperatur inden den startes op igen.

1. Kontroller at sugeslangen har en passende diameter og at den ikke er tilstoppet.
2. Tjek at forfiltret er rent og ikke er tilstoppet.
3. Tjek at rotoren ikke er blokeret/stoppet af snavs.
Først når ovenstående er tjekket må pumpen startes op igen.



Vinteropbevaring

Pumpen skal beskyttes mod frost. Inden vinter tages pumpen op af bassinet og rengøres omhyggeligt. Læg derefter pumpen i en spand vand og stil denne i et frostfrit rum. Dette beskytter lejer og pakninger mod at tørre ind. Hvis pumpen opbevares tørt er der fare for rustdannelse på rotor og i rotorbrønden, hvis denne ikke er helt tør.

Garanti

Denne pumpe er dækket af en 2 års garanti mod produktions- og materialefejl, gældende fra købsdatoen. Nota med dato gælder som garantibevis og kopi af denne skal medsendes pumpen i tilfælde af reklamation. I garantiperioden reparerer eller udskifter vi de defekte dele (vort valg) med originale reserve- dele uden beregning.

OBS! Garantien gælder ikke normalt slid eller skader, der er opstået som følge af misligholdelse, forkert brug og/eller negligering af anførte betjeningsvejledning. Rotoren er en sliddel og er ikke dækket af garantien, men kan købes som reservedel.

Afkortning af kablet er ikke tilladt og medfører bortfald af enhver garanti.



Techno Pro 50000S kontrolboks

Kontrolboksen er designet med den nyeste SINE-wave teknologi og har et display, der viser programmer, strømforbrug og fejlkoder.

Pumpekablet bør kun monteres eller adskilles med strømkablet trukket ud af stikkontakten.

Kontrolboksen skal placeres mindst 30 cm over jordoverfladen.

Error Display

Fejlkode i display	Årsag	Løsning
ER01	Kontrolboks arbejder med fejlstrøm.	Check kabel og forbindelser for kortslutning.
ER02	Kontrolboks overophedet.	Kontrolboksen skal kunne ventilere og må ikke indpakkes eller indelukkes. Placeres i skygge.
ER03	Pumpen kører i tomgang for længe.	Check om pumpen får vand - den må ikke køre tør.
ER04	Pumpen er blokeret eller kabelfejl. Pumpen er indstillet til et for lavt program/energiforbrug.	Check om pumpen er blokeret eller kablet er for forbundet korrekt. Sæt programmet/energi-forbruget højere.
ER05	For høj eller lav spænding (volt).	Check el-forsyningen.

Tip: Hvis knapperne ikke svarer - har du muligvis låst skærmen!
Tryk og hold på (Venstre) Start / Stop-knap i 3 sekunder, indtil displayet blinker 2 gange - dette er proceduren, der åbner / låser kontrolboksens skærm."

Kontrolboksen til Superflow techno Pro S

Boksen kan styre flowet på en Superflow Techno Pro pumpe i forskellige intervaller.

Displayet viser først programnummer (fra ca. 30 – 100 som max).

Efter et kort øjeblik skifter displayet over til at vise energiforbruget i Watt.

Energiforbruget i max indstillingen kan variere med pumpens belastning, men ligger normalt lavere end det på emballage anførte.

Kontrolboksen skal placeres så den ikke udsættes for direkte regn eller sol. Må ikke pakkes ind eller indkapsles, da overophedning vil beskadige den.



Betjening af kontrolboksen

Når kontrolboksen tilsluttes ledningsnettet lyser displayet op. Pumpen starter langsomt op for efter ca. 10 sekunder at komme op på det ønskede flow. I tilfælde af strømafbrydelse vil boksen starte op igen med den indstillede værdi.

For at styre pumpen under drift gør du følgende:

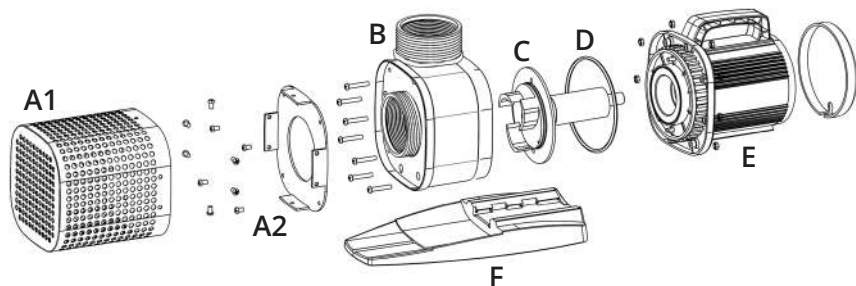
1. Tryk med en finger på displayets op/ned pile. Displayet lyser op.
2. Vent nogle sekunder og tryk så roligt på den ønskede indstilling.
3. Når pumpen reagerer, kan fingeren holdes på op/ned pilen til den ønskede indstilling vises i displayet.
4. Pumpen kan også tændes / slukkes vis displayet.

Hvis kontrolboksen skulle "gå i sort" og ikke reagerer på dine tryk, kan du nulstille boksen ved at trække strømkablet ud af stikket, vente lidt og derefter igen isætte stikket i.

Ved betjening af kontrolboksen, sørg da for ikke at trykke for hurtigt på op/ned pilene.

Tryk langsomt på boksens indstillingsmarkeringer, så den når at registrere dine indstillinger.

Dele til Superflow Techno Pro 50000S



A1



Filterkammer i metal
Art.nr. 30930

A2



Metal plade

B



Rotorlåg
Art.nr. 31344

C



Rotor
Art.nr. 31331

D



O-ring rotor
Art.nr. 31363

E



Pumpemotor
Art.nr. 31368

F



Fodplade
Art.nr. 30940



Kontrolboks til
regulering af pumpens
flow i trin
Art.nr. 30949

Superflow Techno Pro S

50000S

Brugsanvisning



Pondteam AB

Kantyxegatan 25 L - 213 76 Malmö - Sweden • www.pondteam.com

Mail info@pondteam.com

Copyright Pondteam International AB - 03/03/2025

Pondteam® er et registreret varemærke. Andre varemærker anvendt i denne manual, på vores hjemmeside eller i kataloger tilhører de respektive ejere.

Vi forbeholder os retten til at ændre produkter, specifikationer, App's og anbefalinger uden varsel.



Affaldshåndtering

En defekt pumpe må ikke lægges i den normale dagrenovation, men skal indleveres på en af hjemkommunens genbrugspladser for el-materiel, f.eks. en miljøstation.